



GELATEC

#CARMEL

GELATEC

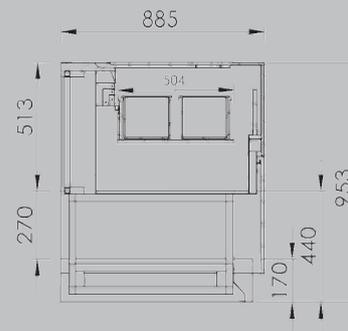
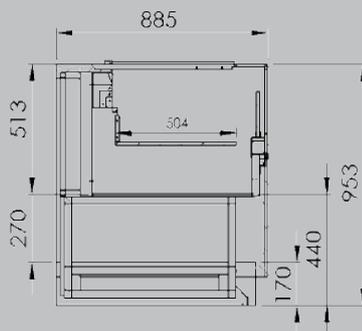
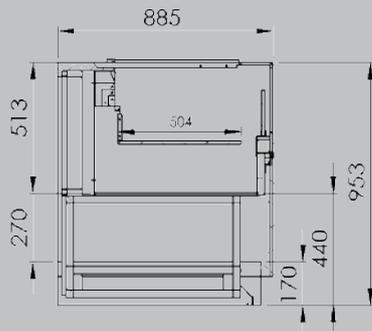


CAMEL DISPLAY LINE IS MANUFACTURED TO THE FOLLOWING VERSIONS:

1. VENTILATED/STATIC COLD

2. VENTILATED/STATIC HOT

3. VENTILATED ICE CREAM



PERFORMANCE

FUNCTIONING TEMPERATURE	+ 2
PRODUCT CONSERVATION TEMPERATURE	+ 4
CLIMATIC CLASS	+ 4
COMPRESSOR TYPE	SEMI HERMETIC
DEFROST	AUTOMATIC
REFRIGERANT GAS	R404A
ELECTRIC POWER V/PH/Hz	230/1/50

PERFORMANCE

FUNCTIONING TEMPERATURE	+ 70
PRODUCT CONSERVATION TEMPERATURE	+ 65
ELECTRIC POWER SUPPLY V/PH/Hz	230/1/50

PERFORMANCE

FUNCTIONING TEMPERATURE	- 20
PRODUCT CONSERVATION TEMPERATURE	- 18
CLIMATIC CLASS	+ 4
COMPRESSOR TYPE	SEMI HERMETIC
DEFROST	REVERSE CYCLE
REFRIGERANT GAS	R404A
ELECTRIC POWER SUPPLY V/PH/Hz	400/3/50

#CARMEL

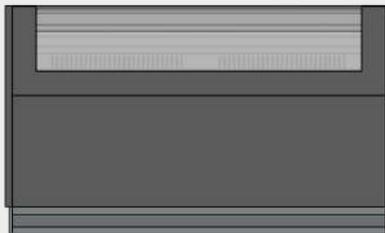
G
GELATEC



1. VENTILATED/STATIC COLD

L 1120	
W	600
KG	105

L 1620	
W	900
KG	135

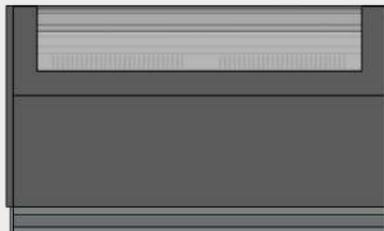


- THE SHOWCASE'S BODY IS MADE BY STAINLESS STEEL AISI 304 INSULATED WITH ECOLOGICAL POLYURETHANE WITH DENSITY 42KG/M3.
- THE SYSTEM IS CONTROLLED BY ELECTRONIC THERMOSTAT WITH INSULATION INDEX IP65 AND LED DISPLAY.
- THE EVAPORATOR HAS BEEN TREATED WITH A SPECIAL ANTITOXIC PIGMENT IN ORDER TO AVOID THE TRANSMISSION OF TOXICITY TO THE PRODUCTS.
- THE LIGHTING SYSTEM IS LED STRIP 14,4W/M/24V OR T8 LED LAMPS.
- THE GLASSES ARE TEMPERED AND EXTRA CLEAR IN ALL THE VERSIONS (EXCEPT WHERE IT IS STRUCTURALLY IMPOSSIBLE).

2. VENTILATED/STATIC HOT

L 1120	
W	1200
KG	85

L 1620	
W	2200
KG	115



- THE SHOWCASE'S BODY IS MADE BY STAINLESS STEEL AISI 304 INSULATED WITH SPECIFIC HIGH QUALITY STANDARDS MATERIALS.
- THE HEATING ELEMENTS ARE CHOSEN FOLLOWING THE MOST SEVERE EUROPEAN SPECIFICATIONS IN ORDER TO ENSURE HIGH PERFORMANCES AND LONG TERM DURATION.
- ALL THE DISPLAYS ARE EQUIPPED WITH SAFETY THERMAL FUSE TO AVOID DANGERS LIKELY PROVOKED BY A MATERIAL FAILURE OR A BAD USE.
- THE LIGHTING SYSTEM IS LED STRIP 4,4W/M/24V OR TB LED LAMPS.
- THE GLASSES ARE TEMPERED AND EXTRA CLEAR IN ALL THE VERSIONS (EXCEPT WHERE IT IS STRUCTURALLY IMPOSSIBLE).

3. VENTILATED ICE CREAM

L 1120 5/6 TRAYS	
W	1200
KG	85

L 1620 8/10 TRAYS	
W	2200
KG	115



- THE SHOWCASE'S BODY IS MADE BY STAINLESS STEEL AISI 304 INSULATED WITH ECOLOGICAL POLYURETHANE WITH DENSITY 42KG/M3.
- THE SYSTEM IS CONTROLLED BY ELECTRONIC THERMOSTAT WITH INSULATION INDEX IP65 AND LED DISPLAY.
- THE EVAPORATOR HAS BEEN TREATED WITH A SPECIAL ANTITOXIC PIGMENT IN ORDER TO AVOID THE TRANSMISSION OF TOXICITY TO THE PRODUCTS.
- THE DEFROST MODE BY REVERSE CYCLE ENSURES THE BEST CONSERVATION OF ICE CREAM.
- THE LIGHTING SYSTEM IS TB LED LAMPS TO PREVENT OVERHEATING IN THE REFRIGERATED SPACE.
- THE DOUBLE CRYSTALS ARE HEATED ON ALL SIDES TO AVOID HUMIDITY CONDENSING ISSUES.
- CAMEL LINE CAN GUARANTEE THE IDEAL ICE CREAM CONSERVATION AND HOMOGENEOUS TEMPERATURE IN ALL THE LENGTH OF THE DISPLAY EVEN USING THE "MOUNTAIN GELATO" TECHNIQUE.
- ALSO IT HAS POLYCARBONATE SLIDING DOORS IN THE BACK FOR EASY AND QUICK ACCESS BY THE USER.

#CAMEL

G
GELATEC





THIS LINE HAS BEEN DESIGNED FOR 2
DIFFERENT TYPES OF ICE CREAM TRAYS:

RECTANGULAR TRAYS: 360X165X120 MM

ROUND TRAYS: D 220 MM



L 1120

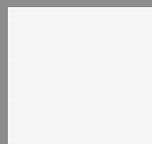


L 1620



TRAYS

COATING



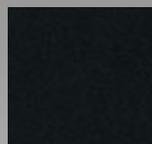
GC 001



GC 003



GC 011



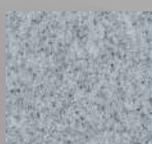
GC 016



GC 017



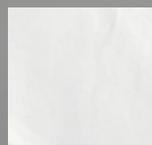
GC 019



GC 025



GC 028



GC 039



GC 050



GC 056



GC 054

ACRYLIC STONE

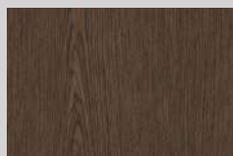
STONE VENEER



GV 083



GV 067



GV 018



GV 039

VENEER







ELEGANCE

CLEARNESS

ACCURACY



INNOVATIVE MATERIALS

MODERN LINES

TRADITIONAL VALUES



GELATEC

CUSTOM DESIGN LAB

THESSALONIKI INDUSTRIAL AREA ROAD 48B

P.BOX 1005 P.C. 57022 SINDOS- GREECE

TEL 0030 2310 797707

EMAIL: INFO@GELATEC.IT

WWW.GELATEC.IT